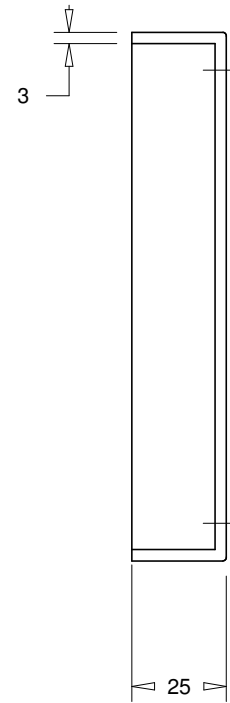
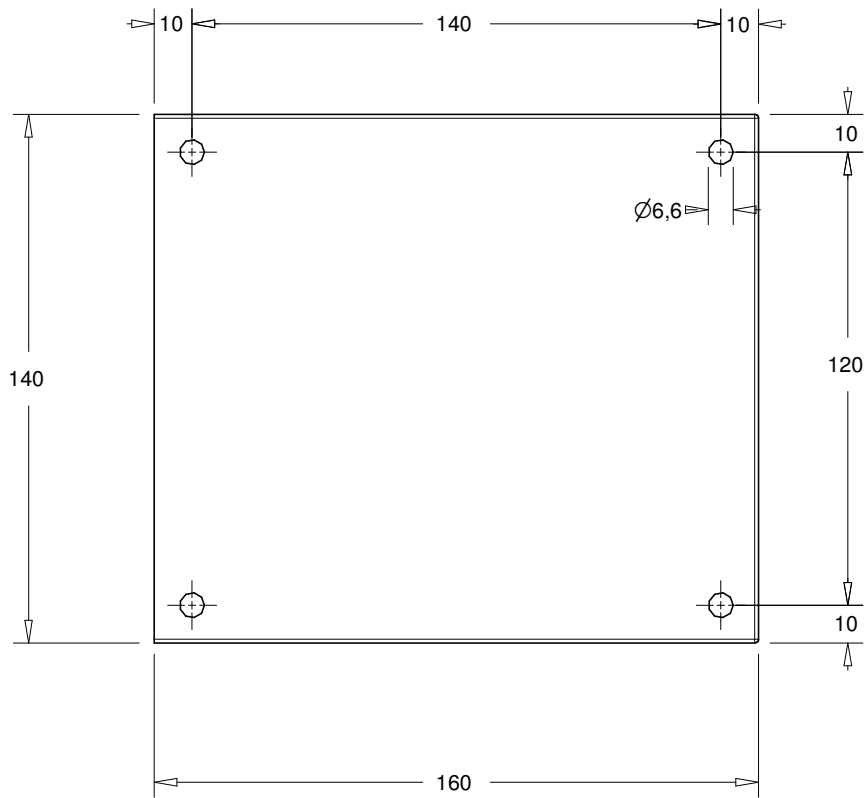


1**2****3****4****5****6****A****B****C****D****E****F****G****H**

Gesneden Platen:
 1st 160/140/3mm
 2st 160/25/3mm
 1st 140/25/3mm

Drawn by: gvdw

Client:

Date: 26/05/2015

Material: St37

Toleranties: DIN7168 mittel

Heading: **Deksel Timing Belt**
**CONSTRUCTION
 VAN DE WALLE**

J.Parijslaan 30
 B-9940 EVERGEM
 Belgium
 tel: +32.92.53.58.58
 fax: +32.92.53.71.72
 mailto:ghislain@vdwalle.com

Formaat: A4

Scale:

Dwg nr.: 150526/01